

AZ2500

60 AMP LATCHING POWER RELAY

FEATURES

- Low cost
- 60 Amp switching
- Heavy loads to 15000 VA
- 4 kV dielectric
- Epoxy sealed construction available
- UL, CUR file E43203



CONTACTS

| | |
|-------------------------------|--|
| Arrangement | SPST (1 Form A) |
| Ratings | Resistive load: Max. switched power: 15000 VA Max. switched current: 60 A Max. switched voltage: 400 VAC |
| Rated Load UL, CUR | 60 A at 250 VAC, 6k cycles, General Use 50 A at 250 VAC, 10k cycles, General Use 40 A at 250 VAC, 100k cycles, General Use |
| Material | Silver cadmium oxide or silver tin oxide |
| Resistance | < 50 milliohms initially (24 V, 1 A voltage drop method) |

COIL

| | |
|--|---------------------------------------|
| Power At Pickup Voltage (typical) | 666 mW single coil 1.3 W dual coil |
| Temperature | Max. 105°C (221°F) |

NOTES

1. All values at 20°C (68°F).
2. Relay may pull in with less than "Must Operate" value.
3. Specifications subject to change without notice.
4. Allow suitable slack on leads when wiring, and do not subject the terminals to excessive force.

GENERAL DATA

| | |
|--|--|
| Life Expectancy Mechanical Electrical | Minimum operations 1 x 10 ⁶ 1 x 10 ⁵ at 40 A 250 VAC Res. |
| Set and Reset Pulse Duration | 50 ms minimum |
| Set Time (typical) | 20 ms at nominal coil voltage |
| Reset Time (typical) | 20 ms at nominal coil voltage |
| Dielectric Strength (at sea level for 1 min.) | 4000 Vrms coil to contact 1500 Vrms between open contacts |
| Insulation Resistance | 1000 megohms min. at 20°C, 500 VDC, 50% RH |
| Creepage Distance | 8 mm |
| Ambient Temperature Operating Storage | At nominal coil voltage -40°C (-40°F) to 70°C (158°F) -40°C (-40°F) to 105°C (221°F) |
| Vibration | 0.062" DA at 10–55 Hz |
| Shock Operating Non-Operating | 20 g, 11 ms, 1/2 sine (no false operation) 100 g, 11 ms, 1/2 sine (no damage) |
| Enclosure | P.B.T. polyester |
| Terminals | Tinned copper alloy P.C. (coil), heavy tabs (power) |
| Max. Solder Temp. | 270°C (518°F) |
| Max. Solder Time | 5 seconds |
| Weight | 33 grams |



AMERICAN ZETTLER, INC.

www.azettler.com

75 COLUMBIA • ALISO VIEJO, CA 92656 • PHONE: (949) 831-5000 • FAX: (949) 831-8642 • E-MAIL: SALES@AZETTLER.COM

10/26/06W

AZ2500

RELAY ORDERING DATA

| COIL SPECIFICATIONS -Standard Single Coil - Termination Style 1 | | | | ORDER NUMBER* | |
|---|------------------|-------------------------|----------------------------|-----------------|------------------|
| Nominal Coil VDC | Must Operate VDC | Max. Continuous VDC [1] | Coil Resistance $\pm 10\%$ | Unsealed | Sealed |
| 5 | 4.0 | 6.5 | 24 | AZ2500P1-1A-5D | AZ2500P1-1A-5DE |
| 6 | 4.8 | 7.8 | 35 | AZ2500P1-1A-6D | AZ2500P1-1A-6DE |
| 9 | 7.2 | 11.7 | 80 | AZ2500P1-1A-9D | AZ2500P1-1A-9DE |
| 12 | 9.6 | 15.6 | 145 | AZ2500P1-1A-12D | AZ2500P1-1A-12DE |
| 24 | 19.2 | 31.2 | 575 | AZ2500P1-1A-24D | AZ2500P1-1A-24DE |
| 48 | 38.4 | 62.4 | 2270 | AZ2500P1-1A-48D | AZ2500P1-1A-48DE |

* Add suffix "K" for Coil Termination Style 2. For silver tin oxide contacts change "1A" to "1AE."

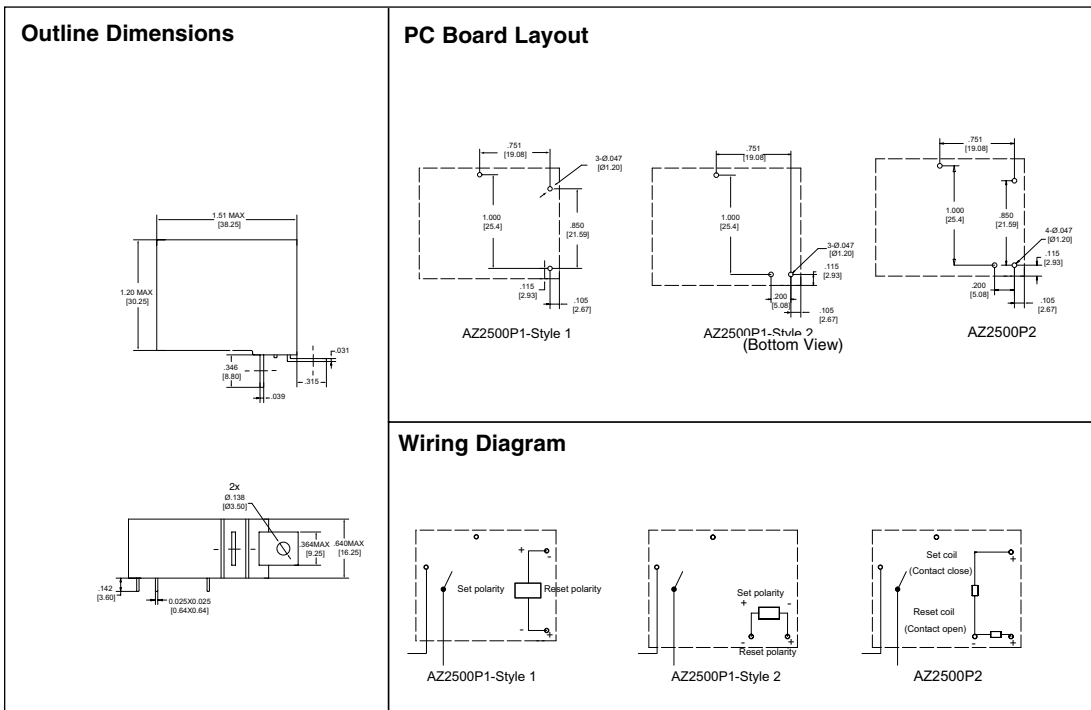
| COIL SPECIFICATIONS -Standard Dual Coil | | | | ORDER NUMBER* | |
|---|------------------|-------------------------|----------------------------|-----------------|------------------|
| Nominal Coil VDC | Must Operate VDC | Max. Continuous VDC [1] | Coil Resistance $\pm 10\%$ | Unsealed | Sealed |
| 5 | 4.0 | 6.5 | 12 | AZ2500P2-1A-5D | AZ2500P2-1A-5DE |
| 6 | 4.8 | 7.8 | 17.5 | AZ2500P2-1A-6D | AZ2500P2-1A-6DE |
| 9 | 7.2 | 11.7 | 40 | AZ2500P2-1A-9D | AZ2500P2-1A-9DE |
| 12 | 9.6 | 15.6 | 72 | AZ2500P2-1A-12D | AZ2500P2-1A-12DE |
| 24 | 19.2 | 31.2 | 285 | AZ2500P2-1A-24D | AZ2500P2-1A-24DE |
| 48 | 38.4 | 62.4 | 1135 | AZ2500P2-1A-48D | AZ2500P2-1A-48DE |

NOTE: Relays may be ordered with twisted copper wire terminations (Styles A-K) as shown below. Contact factory for ordering information.

[1] max. continuous voltage should not be applied for more than 30 seconds.

* For silver tin oxide contacts change "1A" to "1AE."

MECHANICAL DATA



Dimensions in inches with metric equivalents in parentheses. Tolerance: $\pm .010$ "



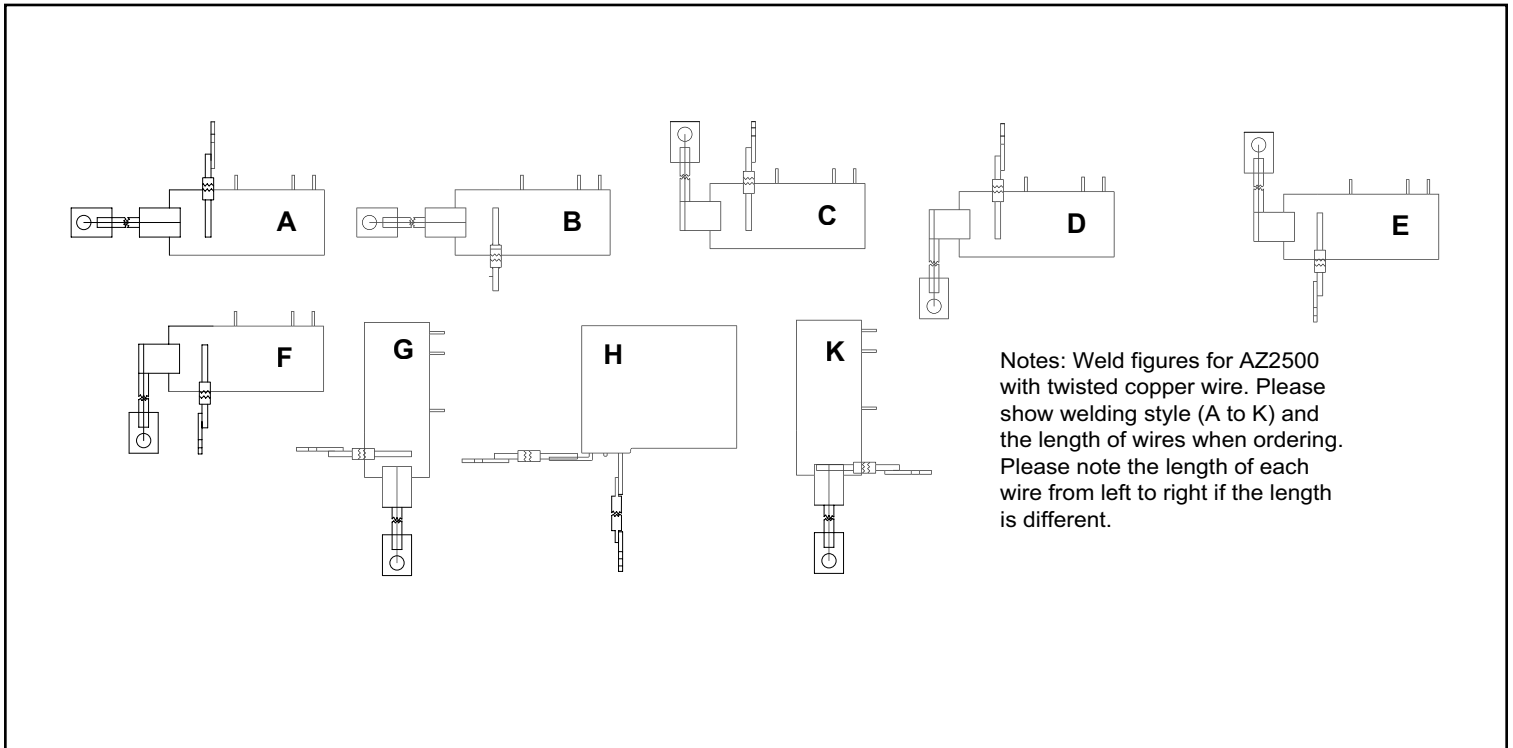
AMERICAN ZETTLER, INC.

www.azettler.com

75 COLUMBIA • ALISO VIEJO, CA 92656 • PHONE: (949) 831-5000 • FAX: (949) 831-8642 • E-MAIL: SALES@AZETTLER.COM 10/26/06W

AZ2500

Weld style of twisted copper wire (A to K)



AMERICAN ZETTLER, INC.

www.azettler.com

75 COLUMBIA • ALISO VIEJO, CA 92656 • PHONE: (949) 831-5000 • FAX: (949) 831-8642 • E-MAIL: SALES@AZETTLER.COM

10/26/06W